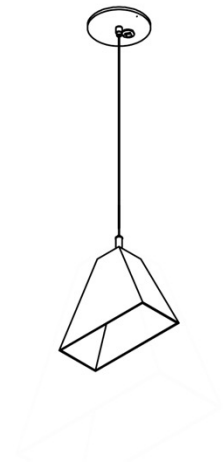
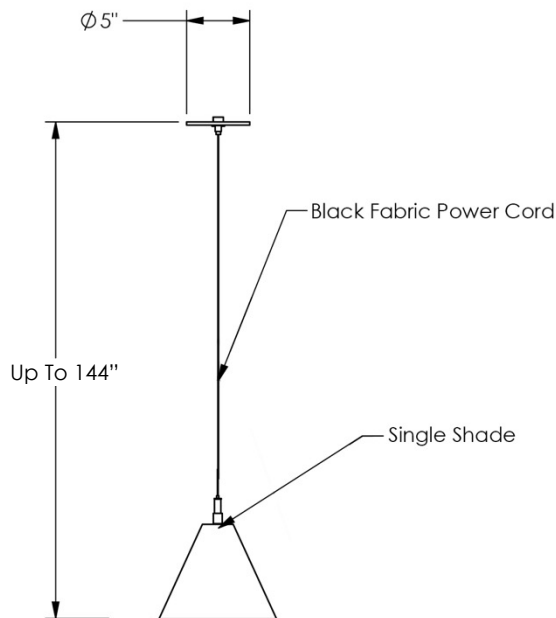




The artful and alluring decorative **Balance Light** is designed as a modular unit that can be adapted to for commercial and residential spaces. This **Small Pendant** (shown here: three units) fixture features 1-small slip-cast porcelain pendant shade. Standard features include black fabric power cord with aircraft cable reinforcement and satin black steel hardware. The exterior of the shade is matte (unglazed), and the interior has a clear gloss finish.

HARDWARE ASSEMBLY



**ABOUT THE PRODUCER**

Established 2011, **Stak Ceramics** is recognized for thoughtfully designed home goods. A creative collaboration between partners Myles Geyman and Heather Connolly, Stak offers expert knowledge of ceramic design and fabrication. Monmade showcases Stak's creative expansion into commercial lighting and décor products, including their signature **Balance Light** series.

SUSTAINABILITY & CERTIFICATIONS

UL Listed (Medium Socket Option Only)

Compliance with LEED V4 credits:

Interior Environmental Quality, Interior Lighting

Regional Priority Materials & Resources

Meets sustainably **Monmade** Dimensions



- 50% woman-owned creative business
- Ceramic components are manufactured headquarters in a repurposed industrial facility located in a low- or moderate-income area; energy use reduction is a priority in the facility
- Waste materials from the manufacturing process are recycled into new product; water is reused within the manufacturing process
- Glazing materials sprayed on as coloring agents are either natural, low-to-no-zero VOC
- Balance Light is made in collaboration with supporting lighting manufacturer located within a 35-mile radius of producer's primary facility; this EPA compliant manufacturer provides hardware assembly, engineering, and certification of this product

[Learn more](#) about Monmade's holistic approach to sustainability.

MADE IN THE U.S.A.

- Produced by Stak Ceramics
- Manufacturing in Pittsburgh, PA
- Hardware assembly in Derry, PA

FEATURES & BENEFITS

- Raw (matte) porcelain pendant shade with clear gloss glazed interior
- Black fabric power cord with aircraft cable reinforcement and satin black steel hardware
- Suitable for interior dry applications
- Lamp options: choose from Medium Socket or Dimmable LED Module
- Lead time: approx. 6-10 weeks

TECHNICAL INFORMATION

- Shade dimensions: approx. 12"W x 7"D x 9"H; ; up to 144" Total Light Length; 5" Canopy
- Total light length determined upon order
- 5" Canopy

FINISH OPTIONS

- Select Medium Socket (UL Listed) or Dimmable LED Module (UL Components)
- Specify total light length upon order
- Custom porcelain finish options, and hardware colors available

CARE & MAINTENANCE

- Shipped using recycled packaging
- Installation instructions provided