

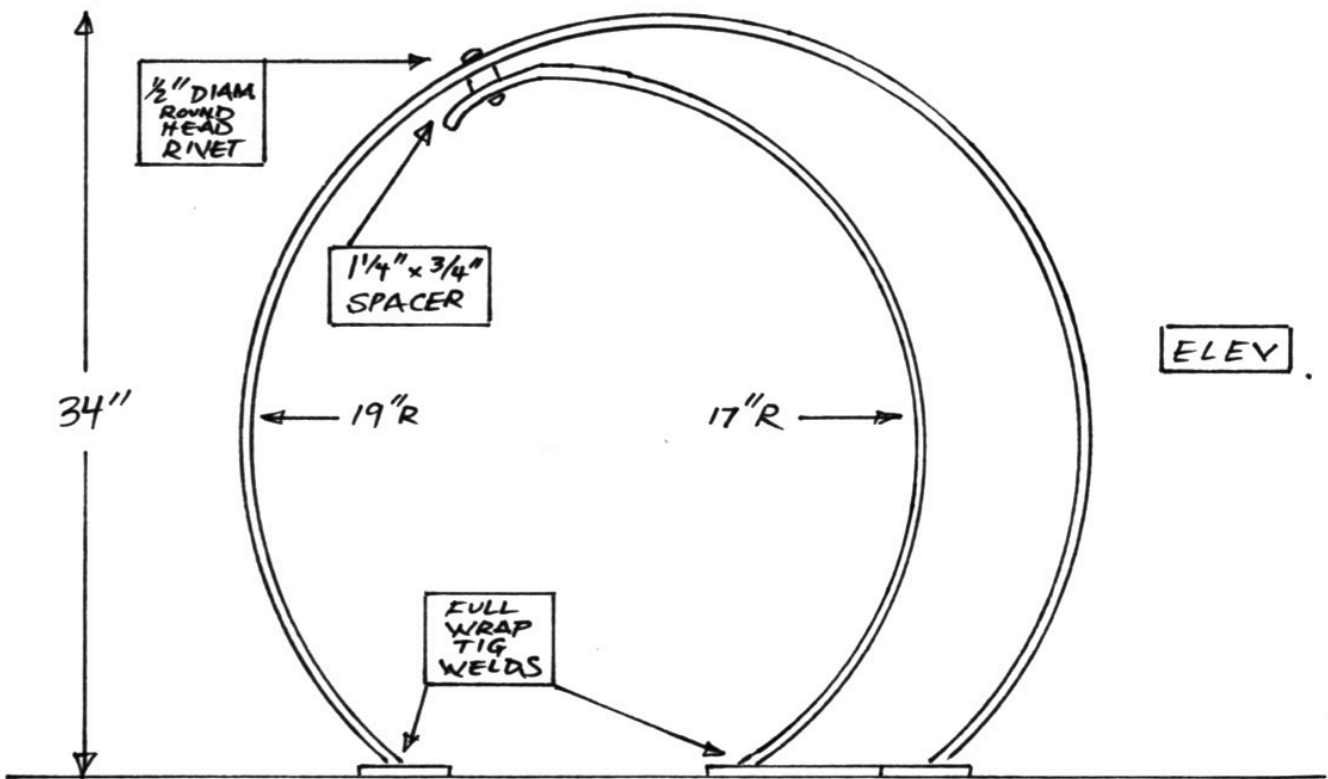
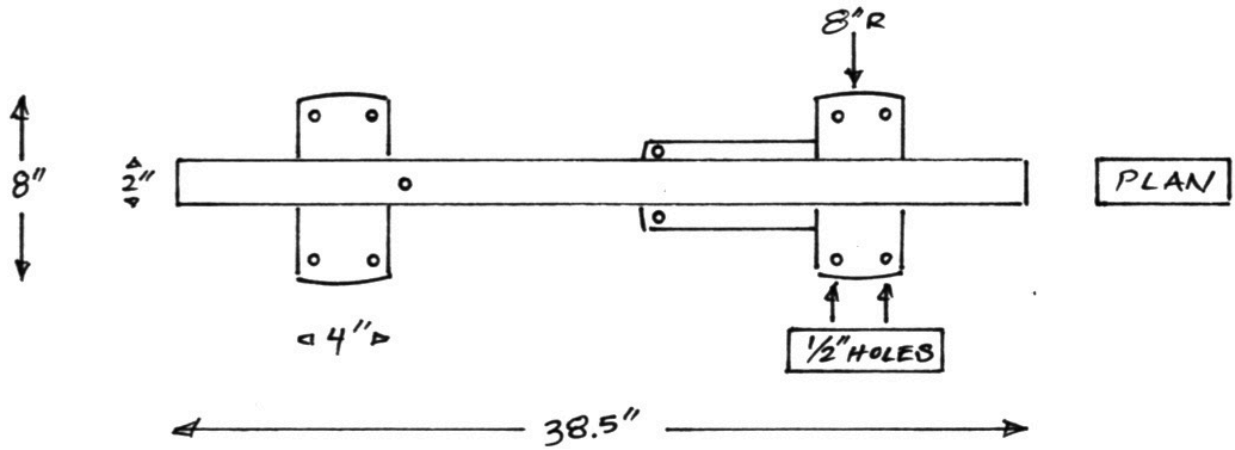


TRANSITION Bike Racks debuted at Monmade's Roundhouse project and won our **ONE Green Product Design Competition 2021**. Designed and manufactured by Transit Forge, these artful surface-mounted bike racks maximize the use of responsible materials and finishes.

The fluidity of the bike rack design is elegant and distinctive while also minimizing the connections and finishing needed of the metal. Fabricated from recycled steel, which has a low ratio of carbon to iron, makes it easier to bend and handle during cold production. Cold processes (bolts, rivets, or fasteners) demand electricity but do not use materials or other manufacturing processes harmful to human health and the environment. The racks featured a durable, low-VOC powder-coated black finish.

Available in four soft geometric shapes, including the A2 shown here. Select one or multiple design variants, including **A2, B2, C2, and D2**, for dynamic and functional exterior ground installations.

A2 TRANSITION BIKE RACK PLAN & ELEVATION DRAWING





ABOUT THE PRODUCER

Transit Forge fabricates sculptural, functional, and architectural metalwork. Established in 2005 by Greg Gehner in Cambridge Springs, Pennsylvania, Transit Forge offers furniture, railings, signage, and lighting featuring soft and artful geometries. With a mastery of metalsmithing and blacksmithing, his work synthesizes traditional forging skills and industrial fabrication techniques with a contemporary aesthetic.

SUSTAINABILITY & CERTIFICATIONS

Compliance with LEED V4 credits:

- Materials & Resources: Sourcing of Raw Materials
- Materials & Resources: Material Ingredients
- Location & Transportation: Bicycle Facilities
- Regional Priority: Narrative by LEED AP

Meets sustainably **Monmade** Dimensions



- Product fabricated low carbon steel and low-VOC powder coating
- Producer is primarily using recycled, rather than virgin, materials during fabrication and is repurposing and recycling scraps to reduce, or in most cases, eliminate landfill waste
- Sourcing from material suppliers and finishing contractors within a 100-mile radius of his primary production facility
- Protecting human health by using an air filtration system to mitigate fumes from production processes, necessary protective gear for personal safety, and is properly disposing of any harmful materials
- Minimizes water usage at his primary production facility, which is an over 60-year-old repurposed building located in an LMI area

[Learn more](#) about Monmade's holistic approach to sustainability.

MADE IN THE U.S.A.

- Produced by Transit Forge
- Manufacturing in Cambridge Springs, PA

FEATURES & BENEFITS

- 2-bike capacity
- Surface-mounted bike racks
- Suitable for exterior installations into a solid concrete base
- Black powder-coated recycled steel for high-level of adhesion
- Lead time: approx. 4-8 weeks

TECHNICAL INFORMATION

- A2 dimensions: 34"H x 38.6"W x 8"D
- Foot mount measurements for all TRANSITION Bike Rack variants:
 - (1) 4" x 8" x 0.375" foot for four bolts/anchors
 - (1) 8" x 12" x 0.375" "T-shaped" foot for six bolts/anchors
- Mount to ground using 3/8" concrete bolt/anchor

FINISH OPTIONS

- Specify variant(s) upon order
- Custom-powder coated finish options available upon request

CARE & MAINTENANCE

- Shipped using recycled packaging
- Installer determines final hardware required by the site for surface installation; producer does not supply hardware