

Mod-Con **Counter Height Stool 24"** in Red Oak with **Coral Pink** painted accent.

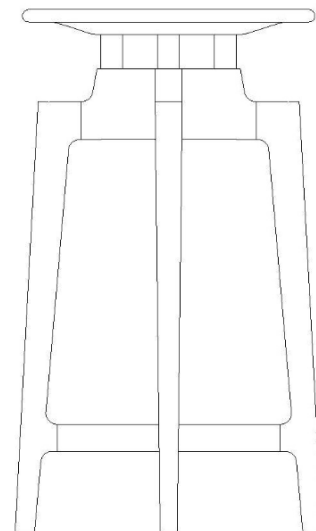
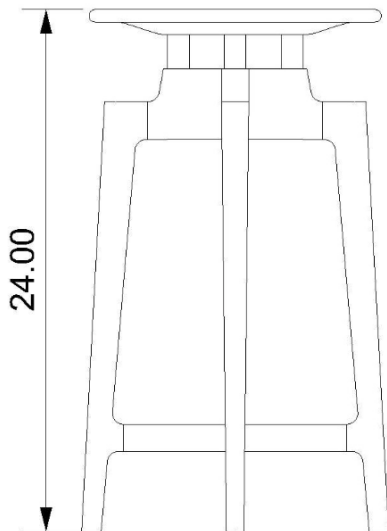
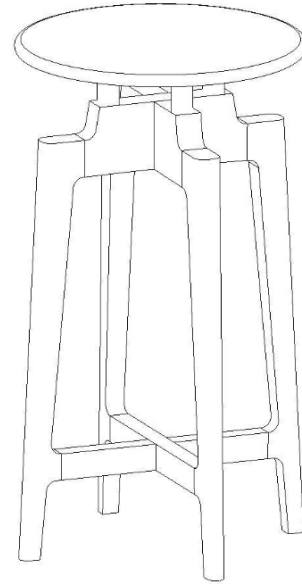
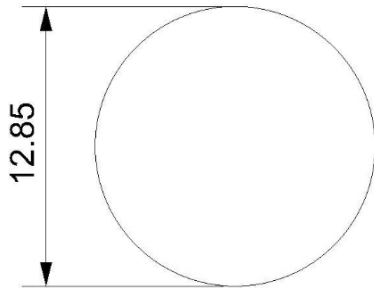


OtherWondersMFG's (OWM) **Mod-Con Collection** explores intentional design and simplicity through functional, durable wood pieces. Realized through **Green Leap**, OWM's first furniture for the collection includes a modern stool set of varying height, ready to be produced in larger batches through responsible and efficient studio-based manufacturing practices. Made from locally sourced, harvested wood, Mod-Con Stools are finished with a zero-VOC finish and paints.

Mod-Con Stools are available in sustainably-sourced red oak and in three standard heights. The stained wood finish is available with **single-color painted accents** in Light Blue, Coral Pink (shown here), Mint Green, Lilac Purple, or Black.

Add-ons include responsibly-sourced **leather wrap-around tops** in Tan and Black. Other sustainable wood options and finishes are available with customization.

STANDARD MEASUREMENTS



**ABOUT THE PRODUCER**

OtherWondersMFG is a design studio with a focus on sustainability. Previously with Monmade, owner Carl Bajandas offered custom design and fabrication of products, including unique railings and fixtures. Applying handcrafted and sustainable techniques to digital design and fabrication, Carl now expands his studio with the **Mod-Con Collection**. The standard furniture line explores intentional design and simplicity through functional, durable wood pieces.

SUSTAINABILITY INFORMATION

Meets sustainably **Monmade** Dimensions



- Minority-owned creative business in McKees Rocks, PA, an a low-to-moderate income area.
- Located within a 100-year-old building that used to be the McKees Rock Gazette. Producer is currently renovating the building for efficiency and sustainability.
- OtherWondersMFG's mission is to provide a transparent pay structure when hiring employees. Initial priorities include hiring minority workers and paying a livable hourly wage.
- Mod-Con Stools use locally sourced, responsibly harvested wood and are finished with zero-VOC water-based stains and finishes, including from domestic manufacturer General Finishes (Wisconsin).
- Considering the entire product life cycle, OtherWondersMFG's furniture are designed to be durable and sustainable—the heirloom quality pieces are intended to last a lifetime.

[Learn more](#) about Monmade's holistic approach to sustainability.

MADE IN THE U.S.A.

- Produced by OtherWondersMFG
- Manufacturing in McKees Rocks, PA

FEATURES & BENEFITS

- Made from sustainably-sourced solid wood red oak
- Mod-Con Stools are available in and in three standard heights: Bar 30", Counter 24", Low 18" Stools
- Clear stained wood finish is available with optional single-color painted accents in range of muted hues and black
- Add-ons include responsibly-sourced leather wrap-around tops
- Suitable for interior use
- Lead time: approx. 4-6 weeks

TECHNICAL INFORMATION

- Counter Height: 24"H x 12.85"Diameter
- Finished with zero-VOC water-based clear stain and optional painted finish

FINISH OPTIONS

- Choose from All-Wood or with Color Accent
- Painted Color Accent Options: Light Blue, Coral Pink, Mint Green, Lilac Purple, Black
- Optional Leather Wrap-Around Top: Tan, Black
- Other sustainable wood options and finishes are available with customization

CARE & MAINTENANCE

- Dust with soft cloth and clean with water-based cleaner as needed